

Whole House RO Package Data Sheet

Models:

This Data Sheet covers the RainDance Water Systems line of whole house RO packages from 400-1,500 GPD models.

Design:

A complete package to serve a household with clean water, designed to remove impurities from municipal and well water sources. Features low waste technology, corrosion prevention, and pressure boosting for high efficiency operation.

Specifications:

All 400-1,500GPD Packages include the following specifications. Individual equipment specifications can be found later in the document.

Power: 120v, 60hz Standard Receptacle

Water Pressure: Minimum 25psi / Maximum 100psi

Water Temperature: Minimum 39F / Maximum 100F (3.9C / 37.7C)

Port Sizes:

1/2" FNPT (Prefilter Inlet)

1/2" QC (RO/Remineralizer, Tubing Supplied)

2" FNPT (Storage Tank Outlet)

1" FNPT (Pump Inlet/Outlet)

Options:

Add-ons included with the listed packages:

Remineralizer: Automatically corrects low pH from the RO system to prevent plumbing corrosion and add minerals back to the water.

Storage Tank: Large atmospheric tank holds a high volume of water for on-demand home use.

Delivery Pump: Provides pressurized water to all taps in the home.

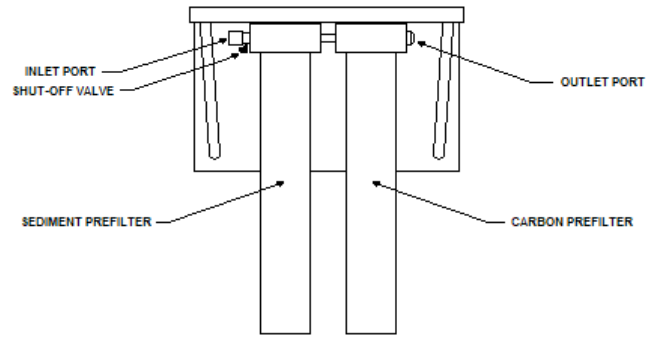
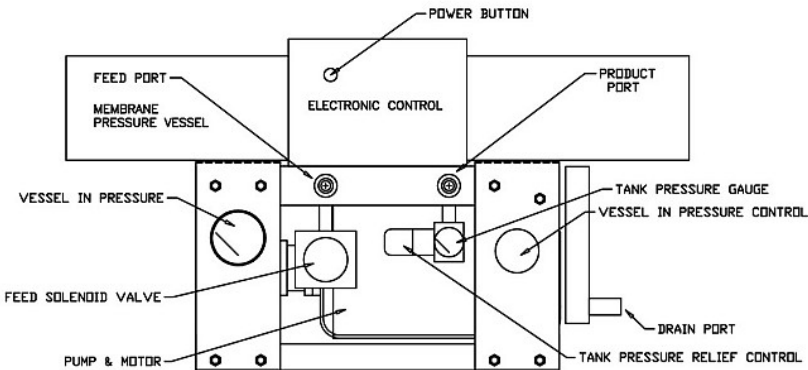


*RainDance Water Systems Products are
Built in the USA by American Workers
utilizing Domestic and Foreign Parts.*



1672 Main St Suite E312, Ramona, CA 92065 USA - www.raindancewater.com
 Ph: 877-788-8387 | Ph: 760-788-8387 - sales@raindancewater.com

Reverse Osmosis Data Sheet



	400 GPD	800 GPD	1200 GPD	1500 GPD
Frame	Stainless Steel, No. 4 Finish			
Membranes	1 2521 Thin Film	1 4021 Thin Film	1 4021 Thin Film	1 4040 Thin Film
Filters	Dual 2.5" x 10" Sediment & Carbon	Dual 2.5" x 20" Sediment & Carbon		
Electrical	110/120v 60Hz, 1-ph., 10.4A			
Motor	1/3 HP, 1725 RPM Drip Proof, Thermally Protected	3/4 HP, 1725 RPM, Drip Proof, Thermally Protected		
Feed/Drain/Product Connections	1/2" Quick Connect Fittings			
Capacity*	0.3gpm, 400gpd	0.6gpm, 800gpd	0.8gpm, 1200gpd	1.1gpm, 1500gpd
Min/Nominal/Max Operating Pressure	25/150/200 psi			
Recovery w/ Recirculation Valve	50%			
Typical Rejection	98.00%			
Max Feed TDS	2500ppm			
Max. Chlorine	<0.1ppm			
Overall Dimensions (w/ Attached Filters)	28"W x 8"D x 12"H (25"H)	30"W x 8"D x 14"H (37"H)		45"W x 8"D x 14"H (37"H)
Weight	55 lbs.	60 lbs.		65 lbs.

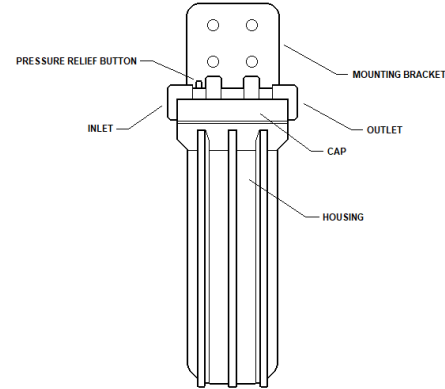
*Production varies based on water temperature and TDS level. Colder water/higher TDS will decrease production.



1672 Main St Suite E312, Ramona, CA 92065 USA - www.raindancewatersystems.com
 Ph: 877-788-8387 | Ph: 760-788-8387 - sales@raindancewatersystems.com

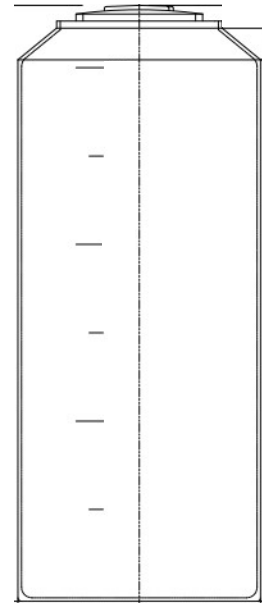
Remineralizer Filter Data Sheet

	400 GPD	800-1500 GPD
Filter Type	Calcite Cartridge – pH Correction	
Connections	1/2" Quick Connect Fittings	
Overall Dimensions	5"D x 15"H	5"D x 25"H
Weight	Approx. 10 lbs.	Approx. 20 lbs.



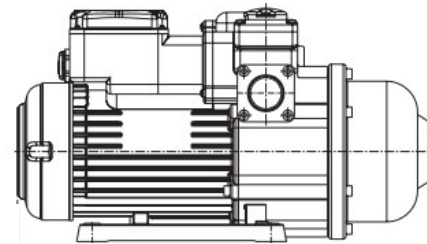
Storage Tank Data Sheet

	200 Gallon	300 Gallon	500 Gallon
Material	Polyethylene – BPA Free		
Connections	1/2" Quick Connect Fitting (Inlet) – 2" FNPT (Outlet)		
Overall Dimensions	31"D x 72"H	35"D x 81"H	46"D x 76"H
Weight	Approx. 70 lbs.	Approx. 80 lbs.	Approx. 110 lbs.



Delivery Pump Data Sheet

	10 GPM
Power	1 HP
Electrical	110/120v 60Hz, 1-ph., 10.0A
Connections	1" FNPT Inlet/Outlet
Capacity	10 GPM @ 48psi
Overall Dimensions	16"L x 7"W x 9"H
Weight	Approx. 25 lbs.



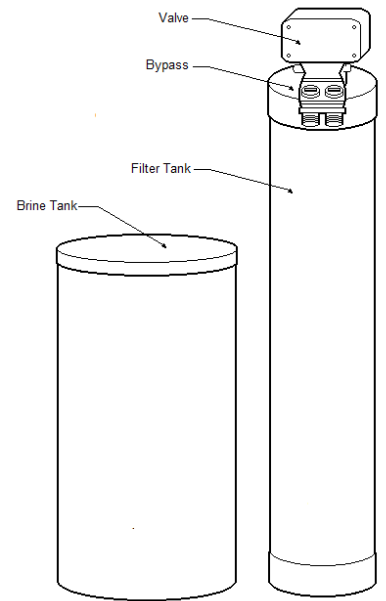


1672 Main St Suite E312, Ramona, CA 92065 USA - www.raindancewatersystems.com
 Ph: 877-788-8387 | Ph: 760-788-8387 - sales@raindancewatersystems.com

RainDance Whole House RO Optional Equipment

RainDancePRO Pretreatment System Data Sheet

	RainDancePRO-125-10
Filter Type	Water Softener & Well Water Filter
Electrical	110/120v 60hz, 1-ph., 1.0A
Connections	1" MNPT Inlet/Outlet, 1/2" Barb Drain
Pretreat Lockout	Automatic switch to shut down RO system during regeneration.
Capacity	Max. Flow Rate: 15 gpm
Overall Dimensions	Filter Tank: 10"D x 63"H Brine Tank: 18"D x 40"H
Weight	Approx. 135 lbs.



Post UV System Data Sheet

	400 GPD	800-1500 GPD
Filter Type	Ultraviolet Light Bacteria Disinfection	
Electrical	110/120v 60hz, 1ph., 0.3A	
Connections	3/4" - 1" MNPT COMBO	
Capacity	Chamber: 3.5"D x 17.75"L Controller: 6.8"L x 3.2"W x 2.5"H	
Overall Dimensions	5"D x 15"H	
Weight	Approx. 12 lbs.	

